

Technical Specifications

Fiber Optic Dome Closure
UCL500BH(144C)

1. General

Fiber Optic Closures UCL500BH is designed for operational efficiency and scalability making it an infrastructure solution for FTTH networks. The closure simplifies FTTH network installation, maintenance and management from central office to the each outside plants.

The closure protects fiber optic splicing point and can be mounted to support aerial and buried and underground applications. UCL500BH has high mechanical strength against any environmental conditions and allows rapid network installation.



2. Features

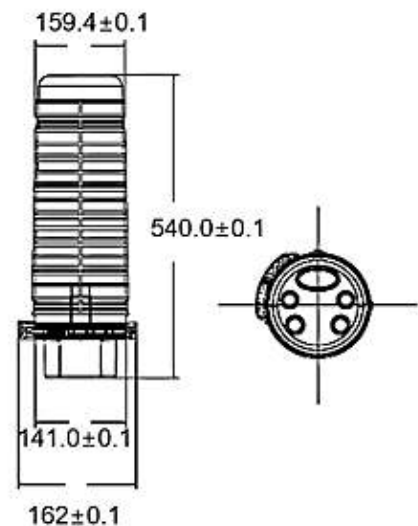
- Durable mechanical strength

UCL500BH has high mechanical strength against any environmental conditions and allows rapid network installation.

3. Products Specification

Item	UCL500BH (144C Frame)
Dimensions(mm)	540* \varnothing 233
Entrance	5 Port (Single 4 / Oval 1)
Max. No. of Splice tray	6
Capacity per a tray	24 C
Max. Capacity	144 C
Suitable cable dia.	Single– less than 20mm Oval – less than 28mm

4. Drawing



< UCL500BH >